

CBR2-S, M, L & XL

Condensing Unit Support Brackets "Type 2" Installation instructions



Pump House Glaisdale
Drive East Nottingham
NG8 4LY
Tel: +44(0)115 900 5858
Fax: +44(0)115 929 4468

sales@pumph.co.uk
www.pumph.co.uk



Pump House Pumps Ltd - Registered in England & Wales No. 4047374



/pumph.co.uk



/pumphouseltd



/pumphouseltd



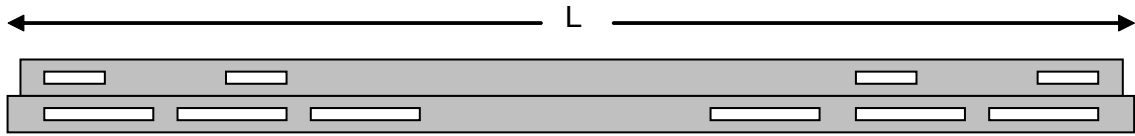
/pump-house-ltd



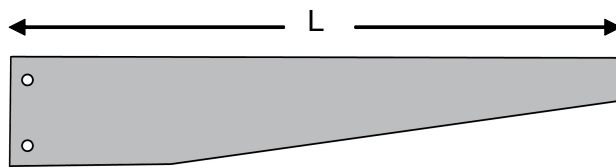
/pumphousepumps

CBR2-S, M, L & XL "Type 2" Installation Instructions

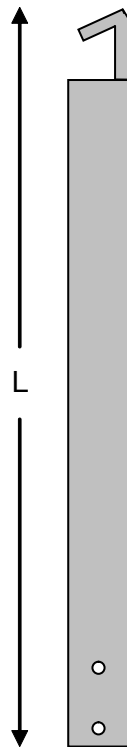
BRACKET STRUCTURE COMPONENTS



A - Crossbar



B - Support Arm



D - Upright

CBR2-S, M, L & XL “Type 2” Installation Instructions

COMPONENTS

Pump House Condensing Unit Support Brackets are designed to support all leading brands of air conditioning condensing units and air source heat pumps, and have been independently tested and certified to the safe working loads, subject to the correct assembly and use of the product. Pump House accepts no liability for failure of this product where it has been assembled incorrectly or has been used for a function outside its intended application.

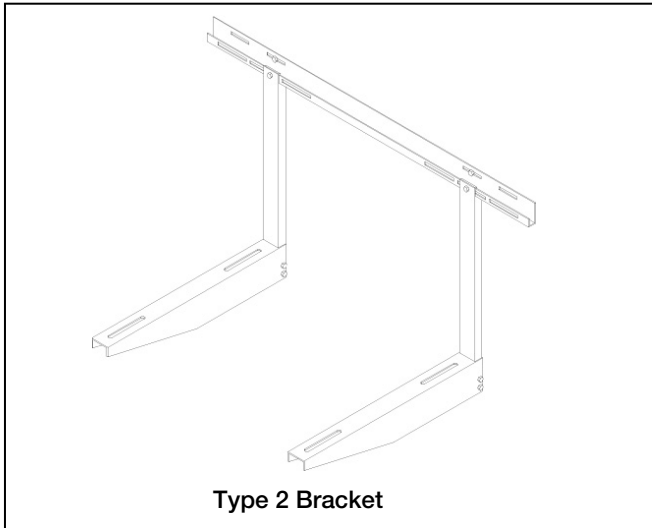
LIST OF COMPONENTS						
Item	Qty.	Description	Length, L (mm)			
			CBR2-S	CBR2-M	CBR2-L	CBR2-XL
A	1	Crossbar	720	900	1040	1040
B	2	Support Arm	400	500	540	660
D	2	Upright	400	500	550	550
E	4	M8 Wall-Fixing Bolts	J	8	25mm Washer	
F	4	M8 x 55mm Bolt	K	10	M8 Nut	
G	4	M8 x 30mm Bolt	L	4	35mm Bolt Sleeve	
H	2	M8 x 20mm Bolt	M	4	Anti-Vibration Washer	
I	12	20mm Washer	N	2	Wall-Spacer	

INSTALLATION INSTRUCTIONS

1. Mark and drill the wall with four suitably sized holes at locations corresponding to the fixing holes provided in the bracket crossbar (A).
2. Fix the crossbar (A) to the wall using 4 x wall-fixing bolts (E).
3. Fit the support arms (B) to the uprights (D) using 4 x M8x55mm bolts (F), 8 x 20mm washers (I), 4 x M8 nuts (K) and 4 x bolt sleeves (L). The bolt sleeves are designed to prevent over-tightening of the bolts crushing the walls of the uprights and support arms.
4. Screw-in fully the wall-spacers (N) to the thread at the bottom rear of the uprights (B).
5. Attach the uprights (B) to the crossbar (A) using 2 x M8x20mm bolts (H), 4 x 20mm washers (I), 2 x M8 nuts (K). The horizontal distance between these fixing positions should be the same as the distance between the feet of the condensing unit.
6. Fix the feet of the condensing unit to the support arms (B) using 4 x M8x30mm bolts (G), 8 x 25mm washers (J), 4 x M8 nuts (K) and 4 anti-vibration washers (M).
7. Adjust the wall-spacers (N) to ensure that the condensing unit is supported in a horizontal position.
8. **Sea salts are very corrosive and affect both ferrous and non-ferrous metals. Coastal installations are particularly at risk as they are frequently exposed to sea salt solutions followed by dry periods, where this wet/dry cycle produces a very corrosive environment.**

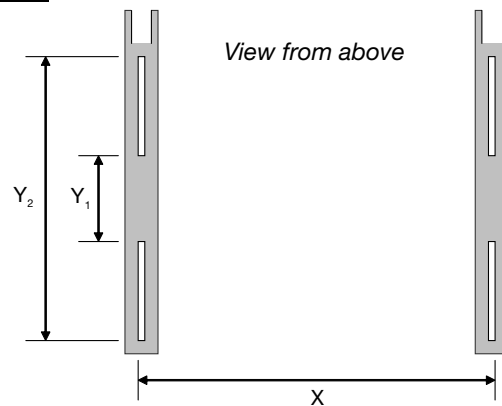
We strongly recommend that in such locations only our stainless steel brackets are installed.

CBR2-S, M, L & XL “Type-2” Installation Instructions



Model	Maximum Safe Working Load
CBR2-S	60kg
CBR2-M	90kg
CBR2-L	140kg
CBR2-XL	250kg

SPAN OF SUPPORT ARMS



Dimensions for span of condensing unit feet

Model	Width of Unit		Depth of Unit	
	Minimum (X)	Maximum (X)	Minimum (Y ₁)	Maximum (Y ₂)
CBR2-S	50mm	660mm	25mm	325mm
CBR2-M	245mm	800mm	125mm	425mm
CBR2-L	300mm	940mm	165mm	465mm
CBR2-XL	300mm	940mm	180mm	580mm

GUIDANCE ON INSTALLATION

1. This product should be fitted by a competent installer of refrigeration air conditioning equipment or air source heat pump equipment
2. Pump House Condensing Unit Support Brackets are designed for use with all makes of condensing unit. Ensure that the bracket you have ordered is suitable for your condensing unit by referring to the safe working load and unit dimension tables.
3. The purpose of this product is to support refrigeration, air conditioning equipment or air source heat pump equipment onto external walls.
4. Ensure wall or building fabric is capable of supporting the load.

For further installation advice please call the technical support helpline on +44(0)115 900 5858.