

Series 30 Manual Ball Valve PN63

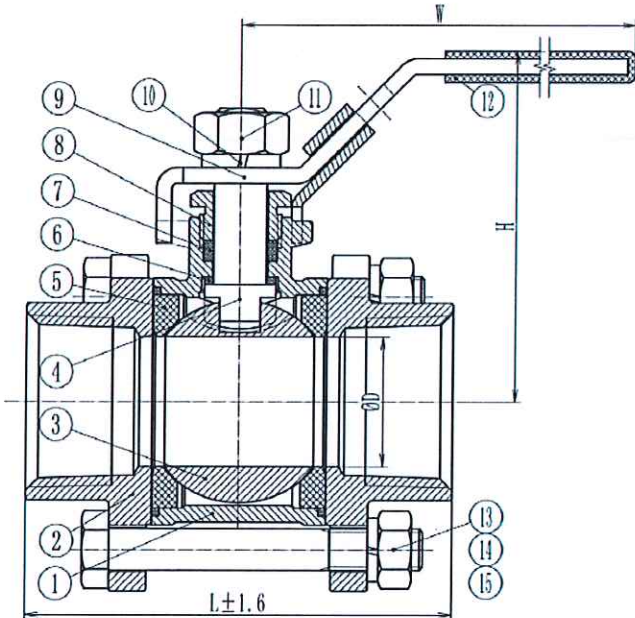
Orseal Ltd.
Lynstock Way
Lostock, Bolton
Lancashire BL6 4QR

Tel +44 (0)1204 474300
Fax +44 (0)1204 474347
E-mail: sales@orseal.com
Website: www.orseal.com



the valve specialists

1/4" - 4"

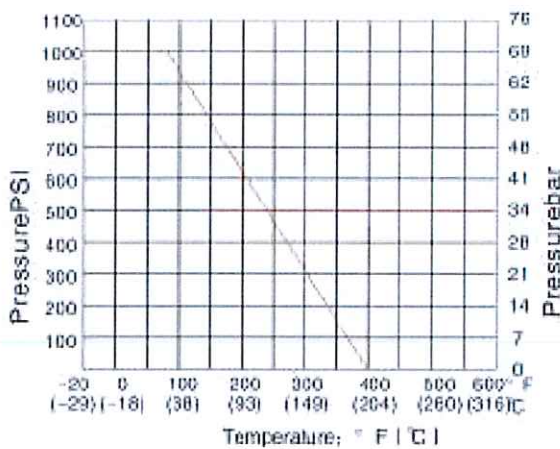


Features:

- Three piece
- Full Bore
- Blow-out proof stem
- 1000 PSI
- Screwed ends (thread conforms with EN 10226-1, ISO 7-1)
- Investment casting
- CE PED tested with test report 3.1 EN 10204

SIZE	1/4"	3/8"	1/2"	3/4"	1"	1 1/4"	1 1/2"	2"	2.1/2"	3"	4"
W	104	104	110	110	145	145	180	180	223	223	298
H	51	51	50	53	68	73	86	94	119	126	169
L	64	64	64	71	83	98	108	126	170	186.5	226.5
D	11	12.5	15	20	25	32	38	50	65	76	94

All measurement are in millimetres unless otherwise stated



Orseal reserve the right make any changes on this data sheet, or to withdraw or modify any item without previous notice. Copyright of this data sheet is reserved by Orseal and it may not be copied reproduced or disclosed to a third party either wholly or in part without the consent of the above in writing.

Components	Material
1 Body	ASTM-A351-CF8M
2 Cap	ASTM-A351-CF8M
3 Ball	ASTM-A351-CF8M
4 Spindle	SS316
5 Ball Seat	PTFE
6 Stem Gasket	PTFE
7 Stem Packing	PTFE
8 Gland	SS304
9 Handle	SS304
10 Washer	SS304
11 Stem Nut	A194-8
12 Plastic Cover	Plastic
13 Spring Washer	SS304
14 Hex Nut	A194-8
15 Bolt	A193-B8