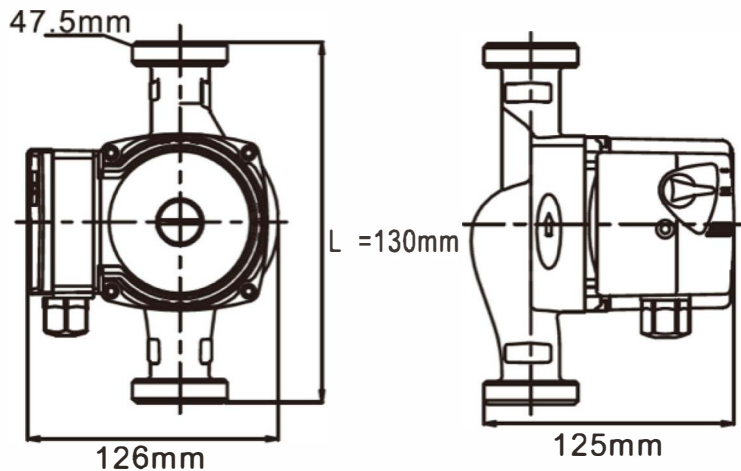
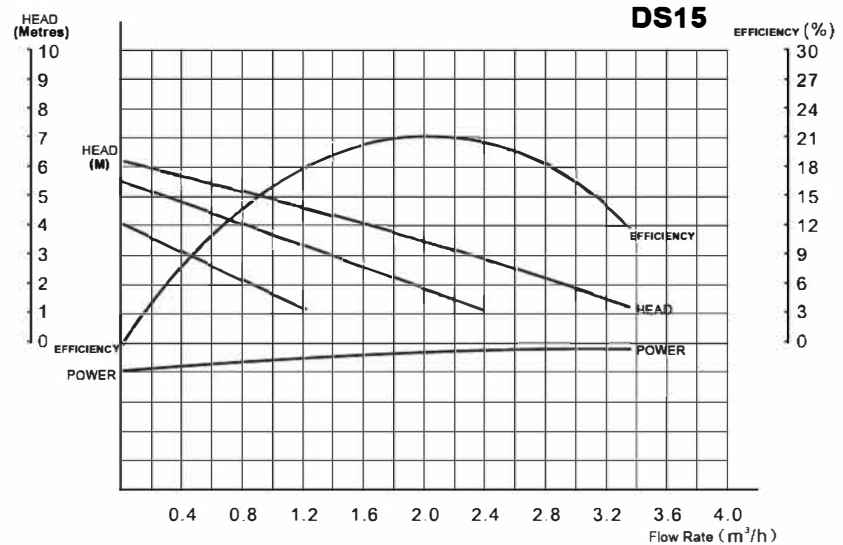




Domestic Standard 15-60/130 Heating Circulator



Technical Specification

- Connection Size: 1 1/2"
- Port to Port Distance: 130mm
- Maximum Head: 6 Meters
- Maximum Flow Rate: 65 Litres Per Minute
- Speed Control: 3 Fixed Speeds
- Maximum System Pressure: 1.0 MPa / 10 Bar
- Protection Class: IP44
- Temperature Class: TF110°C
- Insulation Class: F
- Supplied With: Rubber Washers x2
- Material: Cast Iron
- Colour: Black
- Weight: 2.4kg



636199

BritTherm Limited, Unit 14 Silverbox House,
56 Magnet Road, East Lane Business Park, Wembley, London HA9 7FP
Company Reg. 11400625 VAT Reg. 333507716 Gas Safe Reg. 636199.

*This is replacement integrated circulator
*The benchmark for the most efficient circulator is EEI ≤ 0.20