



MODEL:

AquaJet AJPR10-SH-BF0-S

# AQUAJET

AquaJet Pre-Rinse Spray. AJPR10 base / SHORT style/ No bowl filler / STANDARD gun

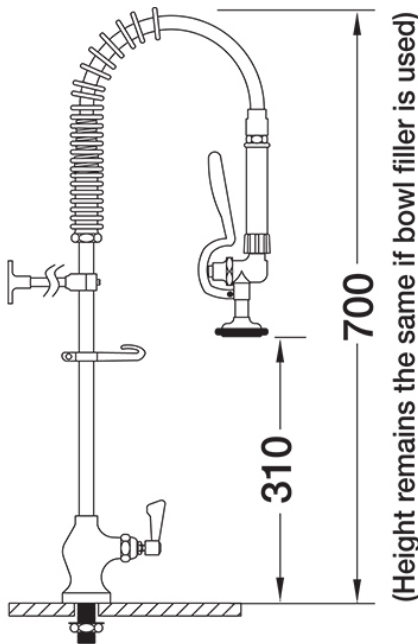
- Accreditation:** WRAS
- Base:** AJPR10
- Bowl Filler:** No bowl filler (BF0)
- Connection(s):** (M) 1/2-inch
- Controls:** Lever
- Model Range:** AquaJet 10
- Mount:** Deck mounted
- Pedestal:** Single
- Spray Gun:** Standard
- Style:** Short
- Water Feed:** Single Monobloc

### FEATURES & BENEFITS

- A variety of choices to suit each application.
- WRAS approved across the range.
- Pre-assembled, ready to install - saves time on site.
- All assembled models are factory tested up to 6 bar for quality assurance.
- Choice of optional bowl fillers, water dispensing guns and accessories.
- Restraining device available to prevent hose from overstretching into basin, which reduces abuse and helps meet Water Board regulations.
- Super strong, food-grade, high-flow water hose.

### TECHNICAL INFO

- Connection: (M) 1/2-inch
- Tap hole req: 25mm
- Flow rates: 7.75 lpm tested at 3 bar pressure.



(M) 1/2-inch connection  
Tap hole req.: 25mm dia.

Dimensions are in millimeters. If a Cad file is required please visit [www.mechline.com](http://www.mechline.com).



MECHLINE DEVELOPMENTS LIMITED

Tel: +44 (0)1908 261511 | Email: [info@mechline.com](mailto:info@mechline.com) | Web: [www.mechline.com](http://www.mechline.com)